

5.5V 1.2A 1.5MHz Synchronous Step-Down Regulator

Features

- High Efficiency: Up to 96%
- 2.5V to 5.5V Input Voltage Range
- 1.5MHz Constant Frequency Operation
- No Schottky Diode Required
- Low Dropout Operation: 100% Duty Cycle
- PFM Mode for High Efficiency in Light Load
- Over Temperature Protected
- Low Quiescent Current: 40 μ A
- Short Circuit Protection
- Inrush Current Limit and Soft Start
- 1.2A Continuous Output Current
- SOT23-5 package

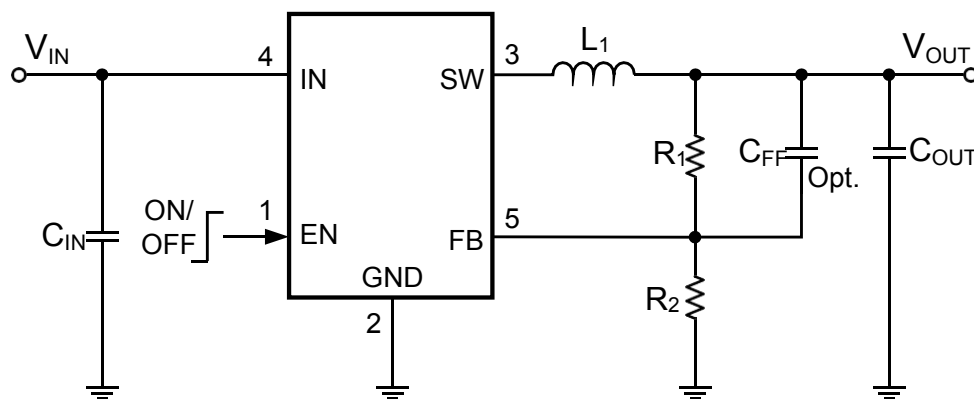
Applications

- Cellular and Smart Phones
- Wireless and DSL Modems
- PDAs
- Portable Instruments
- Digital Still and Video Cameras
- PC Cards

General Description

The RX3410 is a high-efficiency monolithic synchronous buck regulator using a constant frequency, current mode architecture. The device is available in an adjustable version. Supply current with no load is 40 μ A and drops to <1 μ A in shutdown. The 2.5V to 5.5V input voltage range makes the RX3410 ideally suited for single Li-Ion battery powered applications. 100% duty cycle provides low dropout operation, extending battery life in portable systems. PWM/PFM mode operation provides very low output ripple voltage for noise sensitive applications. Switching frequency is internally set at 1.5MHz, allowing the use of small surface mount inductors and capacitors. Low output voltages are easily supported with the 0.6V feedback reference voltage. The RX3410 is offered in a low profile (1mm) 5-pin, thin SOT package, and is available in an adjustable version.

Typical Application Circuit



5.5V 1.2A 1.5MHz Synchronous Step-Down Regulator

Absolute Maximum Ratings

Input Supply Voltage..... V to 6.0V
 EN, FB Voltages..... V to 6.0V
 SW Voltage..... 0.3V to (Vin+0.3V)
 Peak SW Sink and Source Current... 1.7A
 Thermal Resistance (θ_{JA})..... 250 °C/W
 ESD(Human Body Made)HMB.....KV

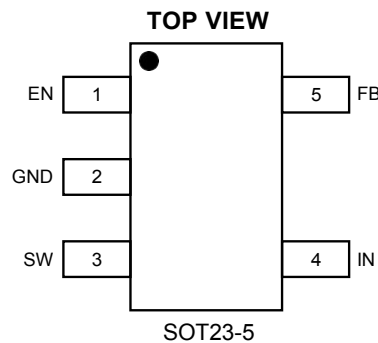
Operating Temperature Range..... -40°C to +85°C
 Junction Temperature(Note2)..... 125°C
 Storage Temperature Range..... -65°C to 150°C
 Lead Temperature(Soldering,10s)..... +300°C
 Thermal Resistance (θ_{JC}) SOT23-5..... 130.... °C/W
 ESD (Machine Made)MM..... 200V

Note:1) Exceeding these ratings may damage the device.

Note:2) The device is not guaranteed to function outside of its operating conditions.

Pin Description

Pin Configuration



Top Marking: ABYLL (device code: AB, Y=year code, LL= lot number code)

Pin Description

| Pin | Name | Function |
|-----|------|---|
| 1 | EN | Chip Enable Pin. Drive EN above 1.5V to turn on the part. Drive EN below 0.3V to turn it off. Do not leave EN floating. |
| 2 | GND | Ground Pin |
| 3 | SW | Power Switch Output. It is the switch node connection to Inductor. This pin connects to the drains of the internal P-ch and N-ch MOSFET switches. |
| 4 | VIN | Power Supply Input. Must be closely decoupled to GND with a 10 μ F or greater ceramic capacitor. |
| 5 | FB | Output Voltage Feedback Pin. An internal resistive divider divides the output voltage down for comparison to the internal reference voltage. |

Order Information

| Marking | Part No. | Model | Description | Package | MOQ |
|--------------|----------|--------|--|---------|---------|
| <u>ABYLL</u> | 70301001 | RY3410 | RY3410 Buck, 2.5-5.5V, 1.2A, 1.5MHz, VFB 0.6V, SOT23-5 | SOT23-5 | 3000PCS |

5.5V 1.2A 1.5MHz Synchronous Step-Down Regulator

Electrical Characteristics (Note 3)

($V_{IN}=V_{EN}=3.6V$, $T_A = 25^{\circ}C$, unless otherwise noted.)

| Parameter | Conditions | Min. | Typ. | Max. | Unit |
|-----------------------------------|-------------------------------|-------|------------|-----------|-------------|
| Input Voltage Range | | 2.5 | | 5.5 | V |
| UVLO Threshold | | | 2.3 | | V |
| Input DC Supply Current | FB = 90%, Iload=0mA | | 150 | 300 | μA |
| | FB= 105%, Iload=0mA | | 40 | 70 | μA |
| | $V_{EN} = 0V$, $V_{IN}=4.2V$ | | 0.1 | 1.0 | μA |
| Regulated Feedback Voltage | $T_A = 25^{\circ}C$ | 0.588 | 0.600 | 0.612 | V |
| Reference Voltage Line Regulation | $V_{in} = 2.5V$ to $5.5V$ | | 0.04 | 0.40 | %/V |
| Output Voltage Line Regulation | $V_{IN} = 2.5V$ to $5.5V$ | | 0.04 | 0.4 | % |
| Output Voltage Load Regulation | | | 0.5 | | % |
| Oscillation Frequency | | | 1.5 | | MHz |
| On Resistance of PMOS | $I_{SW}=100mA$ | | 0.3 | | Ω |
| ON Resistance of NMOS | $I_{SW}=-100mA$ | | 0.2 | | Ω |
| Peak Current Limit | $V_{IN}= 3.6V$, FB=90% | 1.5 | | 2.0 | A |
| EN Threshold | | 0.30 | 1.0 | 1.50 | V |
| EN Leakage Current | | | ± 0.01 | ± 1.0 | μA |
| SW Leakage Current | $V_{EN}=0V, V_{IN}=V_{SW}=5V$ | | ± 0.01 | ± 1.0 | μA |
| Soft Start | | | | 1.2 | mS |
| Thermal Shutdown | | | 160 | | $^{\circ}C$ |
| Thermal Hysteresis | | | 20 | | $^{\circ}C$ |

5.5V 1.2A 1.5MHz Synchronous Step-Down Regulator

Functional Block Diagram

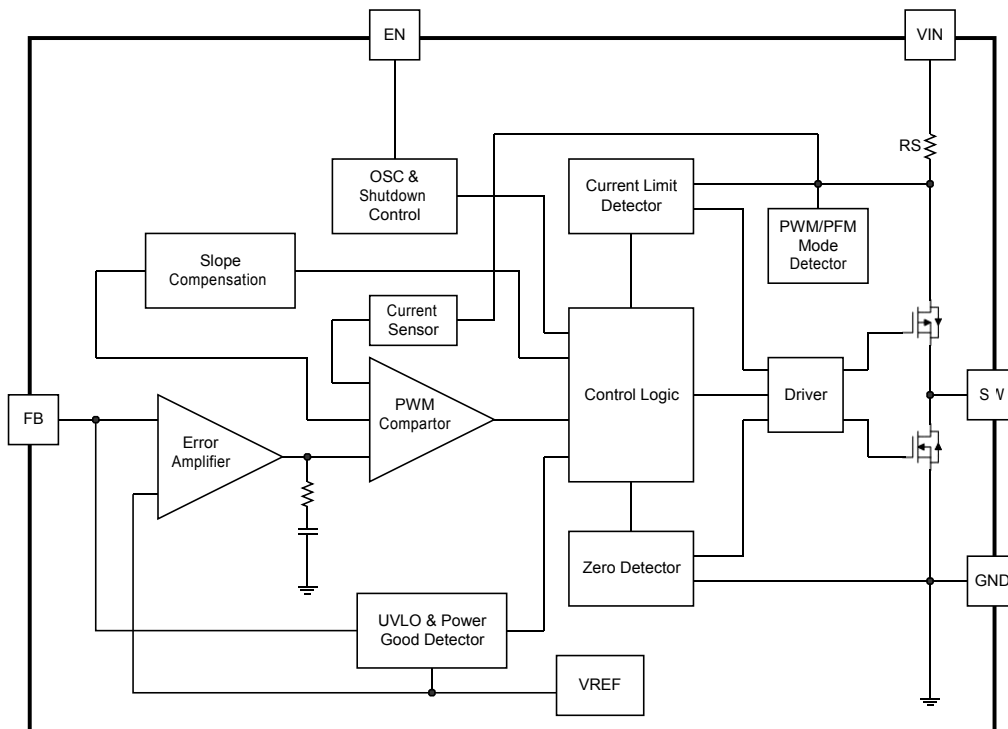


Figure 1. RY3410 Block Diagram

Operation

The RY3410 uses a constant frequency, current mode step-down architecture. Both the main (P-channel MOSFET) and synchronous (N-channel MOSFET) switches are internal. During normal operation, the internal top power MOSFET is turned on each cycle when the oscillator sets the RS latch, and turned off when the current comparator, ICOMP, resets the RS latch. The peak inductor current at which ICOMP resets the RS latch, is controlled by the output of error amplifier EA. When the load current increases, it causes a slight decrease in the feedback voltage, FB, relative to the 0.6V reference, which in turn, causes the EA amplifier's output voltage to increase until the average inductor current matches the new load current. While the top MOSFET is off, the bottom MOSFET is turned on until either the inductor current starts to reverse, as indicated by the current reversal comparator IRCMP, or the beginning of the next clock cycle.

5.5V 1.2A 1.5MHz Synchronous Step-Down Regulator

Applications Information

Setting the Output Voltage

In the adjustable version, the output voltage is set by a resistive divider according to the following formula:

$$R_2 = \frac{R_1}{V_{OUT} / V_{FB} - 1}$$

The external resistive divider is connected to the output, allowing remote voltage sensing as shown in on page 1.

Inductor Selection

For most designs, the RY3410 operates with inductors of 1μH to 4.7μH. Low inductance values are physically smaller but require faster switching, which results in some efficiency loss. The inductor value can be derived from the following equation:

$$L = \frac{V_{OUT} \times (V_{IN} - V_{OUT})}{V_{IN} \times \Delta I_L \times f_{OSC}}$$

Where ΔI_L is inductor Ripple Current. Large value inductors result in lower ripple current and small value inductors result in high ripple current. For optimum voltage-positioning load transients, choose an inductor with DC series resistance in the 50mΩ to 150mΩ range.

Input Capacitor Selection

Higher values, lower cost ceramic capacitors are now becoming available in smaller case sizes. Their high ripple current, high voltage rating and low ESR make them ideal for switching regulator applications. Because the RY3410's control loop does not depend on the output capacitor's ESR for stable operation, ceramic capacitors can be used freely to achieve very low output ripple and small circuit size. However, care must be taken when ceramic capacitors are used at the input and the output. When a ceramic capacitor is used at the input and the power is supplied by a wall adapter through long wires, a load step at the output can induce ringing at the input, VIN. At best, this ringing can couple to the output and be mistaken as loop instability. At worst, a sudden inrush of current through the long wires can potentially cause a voltage spike at VIN, large enough to damage the part. When choosing the input and output ceramic capacitors, choose the X5R or X7R dielectric formulations. These dielectrics have the best temperature and voltage characteristics of all the ceramics for a given value and size.

PC Board Layout Checklist

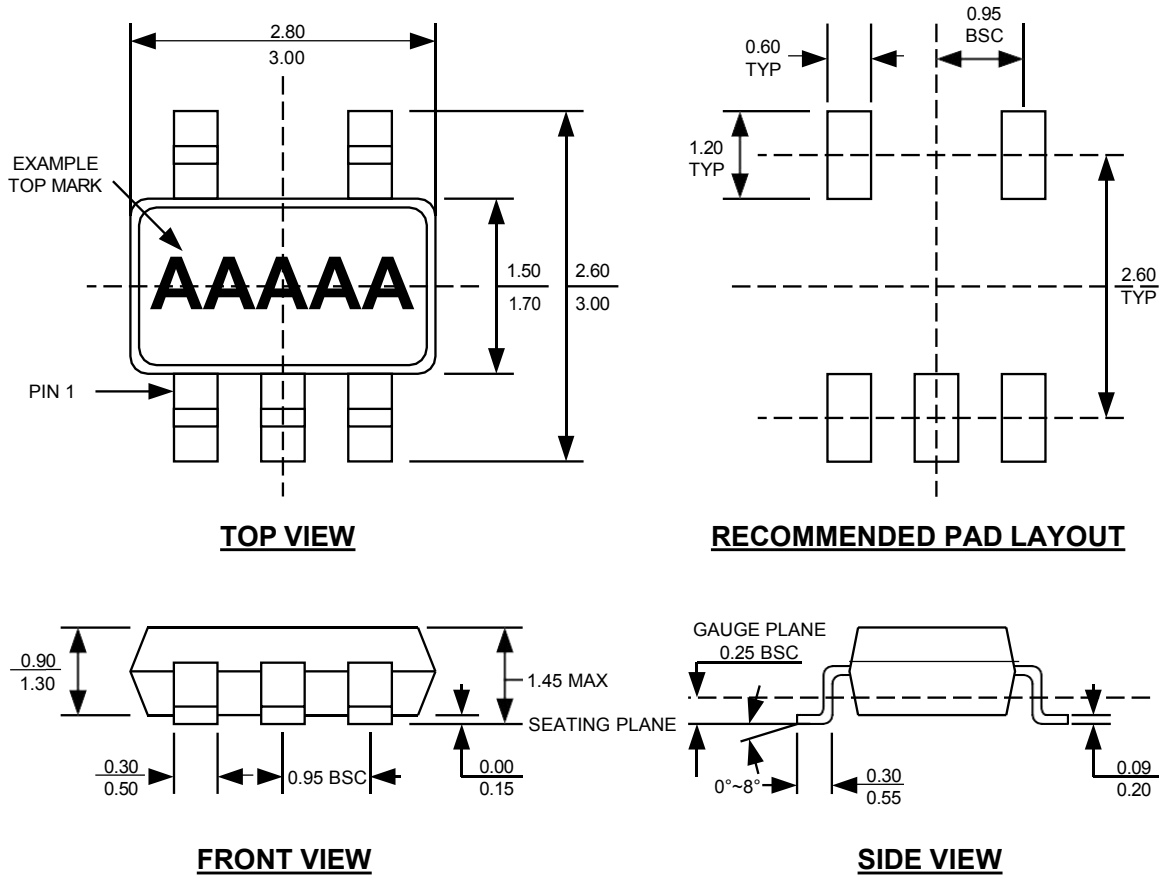
When laying out the printed circuit board, the following checking should be used to ensure proper operation of the RY3410. Check the following in your layout:

1. The power traces, consisting of the GND trace, the SW trace and the VIN trace should be kept short, direct and wide.
2. Does the (+) plates of Cin connect to Vin as closely as possible? This capacitor provides the AC current to the internal power MOSFETs.
3. Keep the switching node, SW, away from the sensitive VOUT node.
4. Keep the (-) plates of Cin and Cout as close as possible

5.5V 1.2A 1.5MHz Synchronous Step-Down Regulator

Package Description

SOT23-5



Note:

1. All dimensions are in millimeters.
2. Package length does not include mold flash, protrusion or gate burr.
3. Package width does not include flash or protrusion.
4. Lead coplanarity (bottom of leads after forming) shall be 0.10 millimeters max.
5. Pin 1 is lower left pin when reading top mark from left to right.